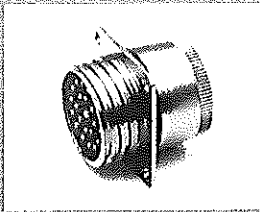
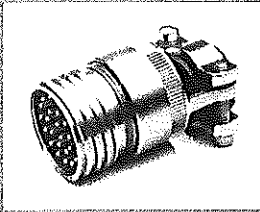


Array PWC Series

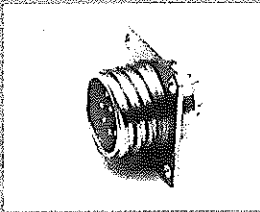
Electrical Connectors with Quick-disconnect, double-start Threads



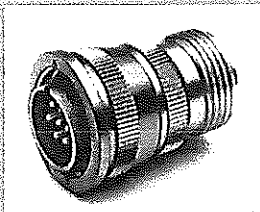
PWC00
Wall-Mounting Receptacle
Page 9



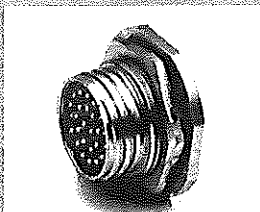
PWC01
Cable-To-Cable Receptacle
Page 10



PWC02
Box-Mounting Receptacle
Page 11



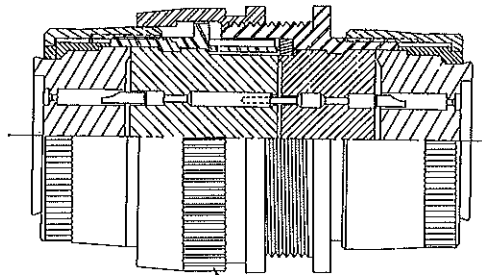
PWC06
Straight Plug
Page 12



PWC07
Jam Nut Receptacle
Pages 13 and 14

Contents:

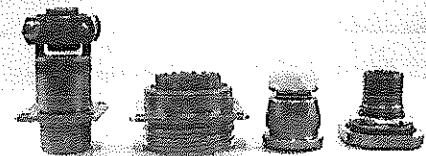
Product Data	2
Nomenclature Guide	3
Cross-Reference	3
Contact Arrangements	4/5
Polarization	6
Panel Mounting Data	7
Printed Circuit Termination	8
Dust Caps	15



Array Connector Corporation's PWC Connectors offer the answer to your requirements for the most critical electrical circuits. PWC Connectors accommodate almost 3 times as many circuits, size for size, as comparable MS connectors (MIL-C-26482). PWC Connectors incorporate a quick-disconnect, double-start thread main coupling.

The PWC Series offers:

- Gold plated pin and socket contacts made from high-grade copper alloy
- Closed-entry, probe-proof socket contacts
- Resilient inserts—performance proved in thousands of applications
- Quality-machined components, available in a variety of finishes to meet your application specific requirements



Complete mechanical assistance in both engaging and disengaging

Single keyway and key polarization represents maximum simplicity in a design field proven over years of service



ARRAY CONNECTOR CORPORATION

A Manufacturer of Quality Connectors

US Headquarters and Manufacturing Facility:
12555 S.W. 130 St., Miami, FL 33186

(305) 234-1000 • Fax: (305) 234-6601
Toll Free: (800) 585-9250 • e-mail: arraysales@aol.com



Product Data

Electrical


Contact Termination		(PWC) Solder Pot or PC Tail			
Number of Contacts		2 to 55			
Wire Size, AWG		12 to 24			
Wire Range Accommodations		Insulation O.D. Limits			
Contact Size	AWG Wire Size	Min.	Max.		
20	24, 22 and 20	.060 (1.52)	.083 (2.11)		
16	20, 18 and 16	.066 (1.68)	.109 (2.77)		
12	14 and 12	.097 (2.46)	.142 (3.61)		
Contact Rating					
Contact Size	Rated Amps	Test Current	Max. Millivolt Drop		
20	7.5	7.5	55		
16	13.0	13.0	49		
12	23.0	23.0	42		
Voltage Rating					
Altitude	Service Rating	Test Voltage		Max. Working Voltage	
		AC (rms)	DC	AC (rms)	DC
Sea Level	1	1500	2100	600	850
	2	2300	3200	1000	1400
70,000 ft	1	375	535	300	510
	2	500	770	450	740

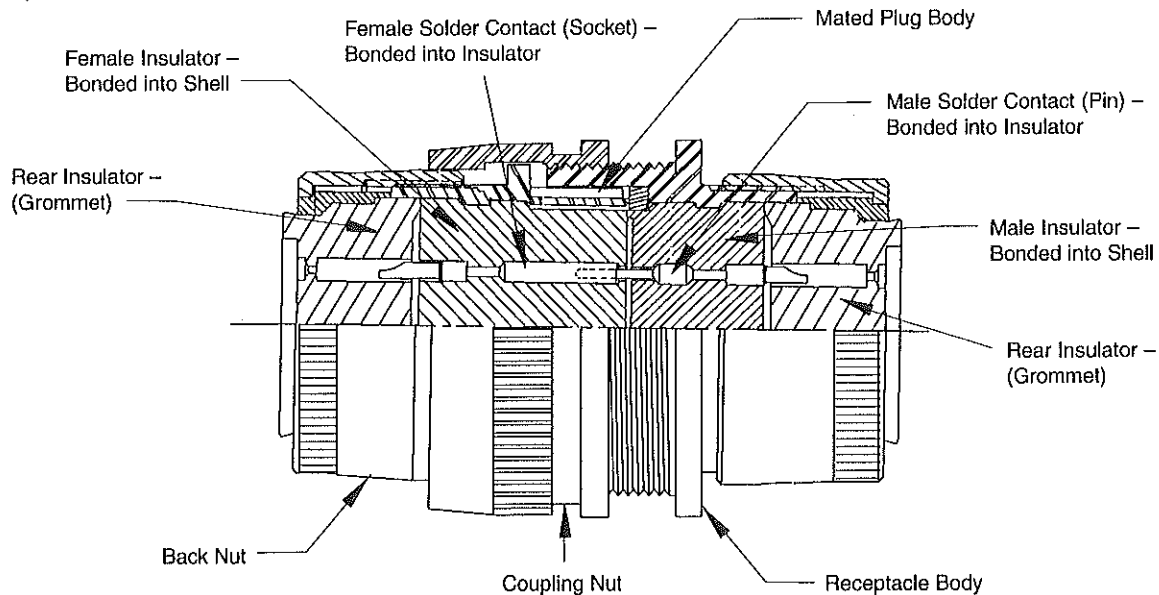
Standard Material and Finishes

Shell (Mil-Std)	Aluminum alloy, conductive yellow chromate over cadmium finish per QQ-P-416. (Consult Factory for Commercial options.)
Insulator	Synthetic Rubber
Grommet and Seal	Synthetic Rubber
Contacts	Copper alloy, gold plate per MIL-G-45204 type II
Temperature Range	-55°C to +125°C

Mechanical

Shell Styles	00 — Wall mounting receptacle 01 — Cable in line receptacle 02 — Box mounting receptacle 06 — Straight plug 07 — Jam nut receptacle
Shell Size	8 thru 22
Polarization/ Coupling	Thread
Service Classes	A — General duty B — General duty with strain relief C — Pressurized E — Grommet seal F — Grommet seal with strain relief J — Straight backshell with O-ring seal JF — Same as MIL-C-26482 J available in commercial PWC only N — No back end, no termination hardware P — Potted

ACC and  are registered trademarks of Array Connector Corporation.



Array Connector Corporation produces high quality products. These products are intended to be used in accordance with the specifications described in this catalog. Any use or application that deviates from the stated operating specifications is not recommended and may be unsafe. A limited warranty is applicable. Except for obligations assumed by Array Connector Corporation under warranty, Array will not be liable for any loss, damage, repairs, incidental or consequential damages of any kind, whether or not based upon expressed or implied warranty, contract, negligence, or liability arising from the application or manufacture or repair of these products. This catalog is not a contractual offering; it is for informational purposes only.



Nomenclature Guide

Examples: PWC 01 F 22 - 55 C P
PWC 06 E 22 - 55 P Y *A612

SERIES PREFIX
PWC = ARRAY

SHELL STYLE
00 = wall mount receptacle
01 = cable to cable receptacle
02 = box mount receptacle
06 = straight plug
07 = jam nut mount receptacle

SHELL SIZE 8 thru 22 available

SERVICE TYPE (Class)

- A = general duty
- B = general duty with strain relief
- C = pressurized
- E = grommet seal
- F = same as E with strain relief
- J = straight back shell with O' ring seal
- JF = same as J with strain relief
- P = potting shell
- N = no back end, no termination hardware

MODIFICATION CODES

- A602 = Black Anodize Plating
- A610 = Aluminate Plating
- A612 = Electroless Nickel Plating
- A617 = Tin Plating
- F602 = Clinch Nuts
- M901 = Stainless Steel Construction
- *For modification codes not listed, consult factory.

POLARIZATION
(See Chart, page 6)

CONTACT TYPE
P = pins
S = sockets

C = Industrial Crimp Contacts Option (Consult factory)

CONTACT ARRANGEMENT (See pages 4 and 5)

Cross-Reference

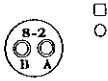
ARRAY	BENDIX	ARRAY	BENDIX
PWC00A	PC00A	PWC02E	PC02E
PWC00B	PC00A**(SR)	PWC07A	PC07A
PWC00E	PC00E	PWC07C	PC07C
PWC00F	PC00E**(SR)	PWC07E	PC07E
PWC00J	PC00W	PWC07F	PC07E**(SR)
PWC00JF	—	PWC07P	PC07P
PWC00P	PC00P	PWC06A	PC06A
PWC01A	PC01A	PWC06B	PC06A**(SR)
PWC01B	PC01A**(SR)	PWC06E	PC06E
PWC01E	PC01E	PWC06F	PC06E**(SR)
PWC01F	PC01E**(SR)	PWC06J	PC06W
PWC01J	PC01W	PWC06JF	—
PWC01JF	—	PWC06P	PC06P
PWC02A	PC02A		



Contact Arrangement (Engaging Face of Pin Insert)

08

2
2 No. 20 Contacts



3
3 No. 20 Contacts



33
3 No. 20 Contacts

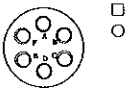


4
4 No. 20 Contacts

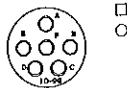


10

6
6 No. 20 Contacts



98
6 No. 20 Contacts

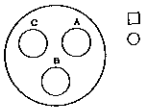


7
7 No. 20 Contacts

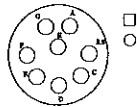


12

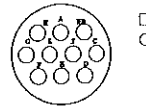
3
3 No. 16 Contacts



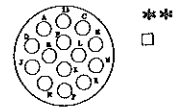
8
8 No. 20 Contacts



10
10 No. 20 Contacts

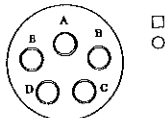


14
14 No. 20 Contacts

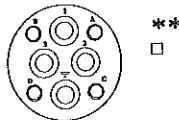


14

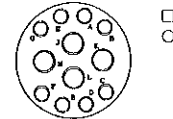
5
5 No. 16 Contacts



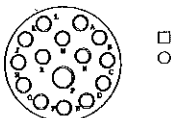
8
4 No. 20 Contacts
4 No. 12 Contacts



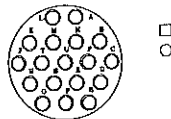
12
4 No. 16 Contacts
8 No. 20 Contacts



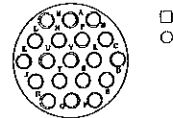
15
1 No. 16 Contact
14 No. 20 Contacts



18
18 No. 20 Contacts

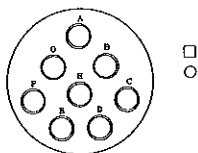


19
19 No. 20 Contacts

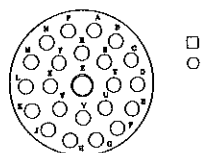


16

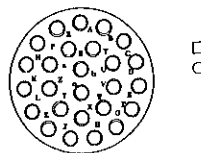
8
8 No. 16 Contacts



23
1 No. 16 Contact
22 No. 20 Contacts



26
26 No. 20 Contacts



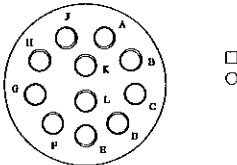
- ** Commercial arrangement.
- Available with solder or straight PC contacts.
- MIL-C-26482 Series 1 contact arrangements per MIL-STD-1669.
- * Consult with factory.



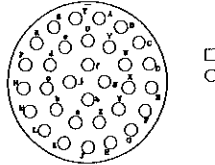
Contact Arrangement (Engaging Face of Pin Insert)

18

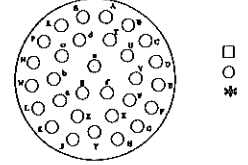
11
11 No. 16 Contacts



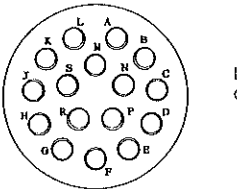
32
32 No. 20 Contacts



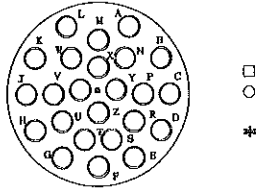
30
30 No. 20 Contacts



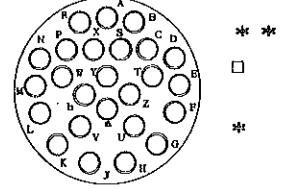
16
16 No. 16 Contacts



24
24 No. 20 Contacts

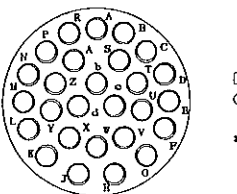


25
25 No. 20 Contacts

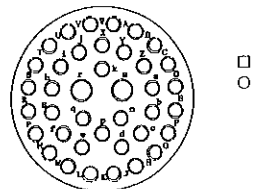


20

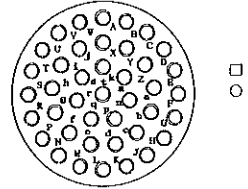
27
27 No. 20 Contacts



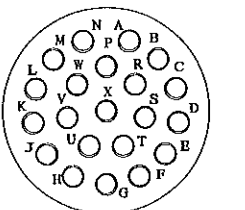
39
2 No. 16 Contacts
37 No. 20 Contacts



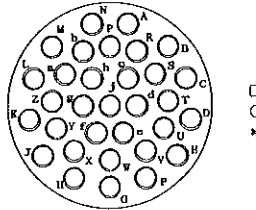
41
41 No. 20 Contacts



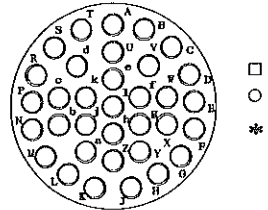
21
21 No. 16 Contacts



32
32 No. 20 Contacts

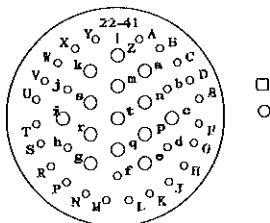


34
34 No. 20 Contacts

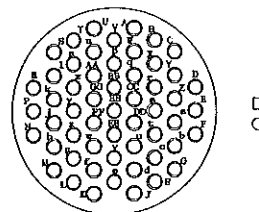


22

41
14 No. 16 Contacts
27 No. 20 Contacts



55
55 No. 20 Contacts



- ** Commercial arrangement.
- Available with solder or straight PC contacts.
- MIL-C-26482 Series 1 contact arrangements per MIL-STD-1669.
- * Consult with factory.

24

Consult Array factory for shell size 24 versions.



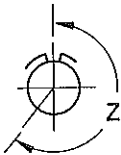
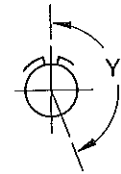
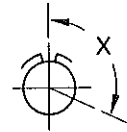
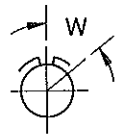
Polarization

The diagrams indicate alternate insert position. The five positions (W, X, Y, Z and Normal) differ in degree of rotation for various size and layouts. The exact angle of rotation for the combinations are listed in the table below. Use letters W, X, Y, Z to specify alternate polarizations. For normal polarization, no indication is required.

Engaging Face –
Pin Inserts



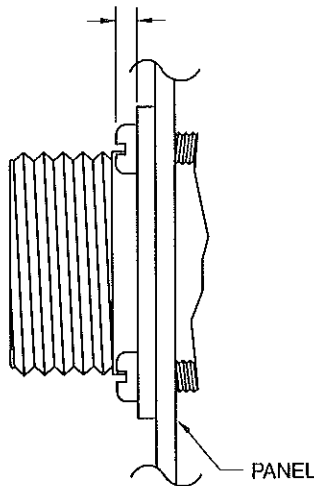
Position N (Normal)



SHELL SIZE	LAYOUT	POSITION			
		W	X	Y	Z
8	2	58°	122°	—	—
	3	60°	210°	—	—
	4	45°	—	—	—
	33	90°	—	—	—
10	6	90°	—	—	—
	98	90°	180°	240°	270°
12	3	—	—	180°	—
	8	90°	112°	203°	292°
	10	60°	155°	270°	295°
	14	—	—	—	—
14	5	40°	92°	184°	273°
	8	—	—	—	—
	12	43°	90°	—	—
	15	17°	110°	155°	234°
	18	15°	90°	180°	270°
	19	30°	165°	315°	—
16	22	45°	—	—	—
	POSITION				
SHELL SIZE	LAYOUT	W	X	Y	Z
16	8	54°	152°	180°	331°
	23	158°	270°	—	—
	26	60°	—	275°	338°
18	11	62°	119°	241°	340°
	32	85°	138°	222°	265°
20	16	238°	318°	333°	347°
	24	70°	145°	215°	290°
	27	72°	144°	216°	288°
	39	63°	144°	252°	333°
22	41	45°	126°	225°	—
	21	16°	135°	175°	349°
	41	39°	135°	264°	—
22	55	30°	142°	226°	314°

NOTE: For polarization data for other contact arrangements, consult factory.

Panel Mounting Data



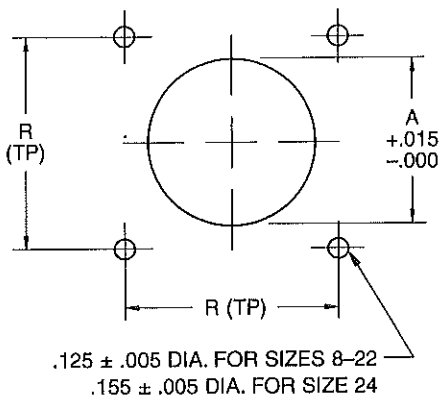
Max Panel & Screw Heads

SHELL SIZE	PWC00	PWC02
8	.087	.087
10		
12		
14		
16		
18	.212	.212
20		
22		

Note: All dimensions relate to distance in front of flange required for proper mating.

Front Panel Mounting

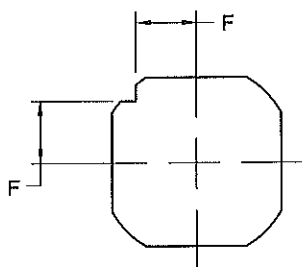
Series PWC Panel Cutout Dimensions



Wall & Box Mounting Receptacle 00, 02

Square flange PWC receptacles are normally front panel mounted, using dimensions indicated. Hole location "R" is true position and is located within .005 dia. of (TP).

SHELL SIZE	INCHES		MILLIMETERS	
	A	R	A	R
8	.479	.594	12.17	15.08
10	.603	.719	15.32	18.28
12	.730	.812	18.54	20.61
14	.855	.906	21.72	23.00
16	.979	.969	24.87	24.60
18	1.103	1.062	28.02	27.00
20	1.223	1.156	30.56	29.36
22	1.350	1.250	33.78	31.75



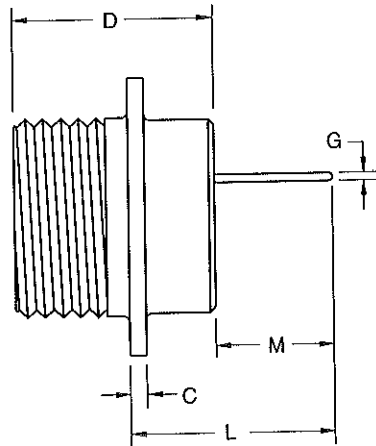
Jam Nut Receptacle 07

PWC series jam nut receptacle mounts in a round hole and can be pinned to prevent rotation.

SHELL SIZE	INCHES	MILLIMETERS
	F ±.010	F ±.254
8	.331	8.41
10	.375	9.53
12	.442	11.23
14	.486	12.34
16	.530	13.46
18	.573	14.55
20	.641	16.28
22	.685	17.40



Printed Circuit Termination



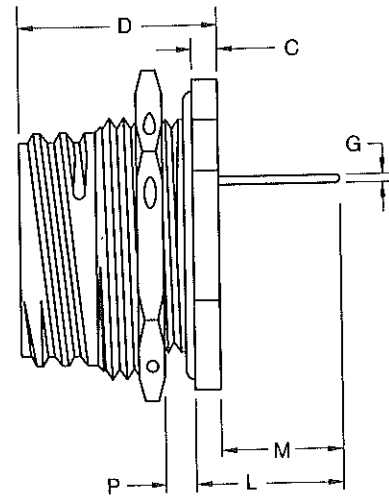
PWC02

Note: To define PC tail length(s), specify either "L" or "M" and "G" dimensions.

Recommended PC Tail Diameter "G"

CONTACT SIZE	DIAMETER
16 gage	.040
20 gage	.030

Other dimensions available. Consult with factory.



PWC07

PWC02 — Shell Dimensions

SHELL SIZE	C ±.016	D +.005 -.015	Customer to Specify		
			G ±.001	L	M
8	.062	.725			
10	.062	.725			
12	.062	.725			
14	.062	.725			
16	.062	.725			
18	.062	.725			
20	.094	.906			
22	.094	.906			

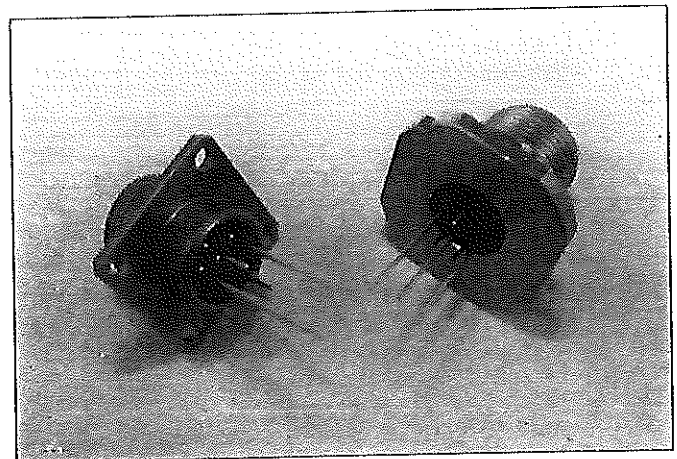
PWC07 — Shell Dimensions

SHELL SIZE	C +.016 -.010	D MAX.	P		Customer to Specify		
			MIN.	MAX.	G ±.001	L	M
8	.125	.859	.062	.125			
10	.125	.859	.062	.125			
12	.125	.859	.062	.125			
14	.125	.859	.062	.125			
16	.125	.859	.062	.125			
18	.125	.859	.062	.125			
20	.156	1.078	.062	.250			
22	.156	1.078	.062	.250			

Array Connector Corporation stocks a wide range of contacts for printed circuit board mounting in a variety of length and diameter. The PC types PWC02 and PWC07 (with printed circuit termination) mate with all PWC plugs. They are competitively priced with the solder version, and a substantial savings can be realized when terminated by wave or reflow soldering.

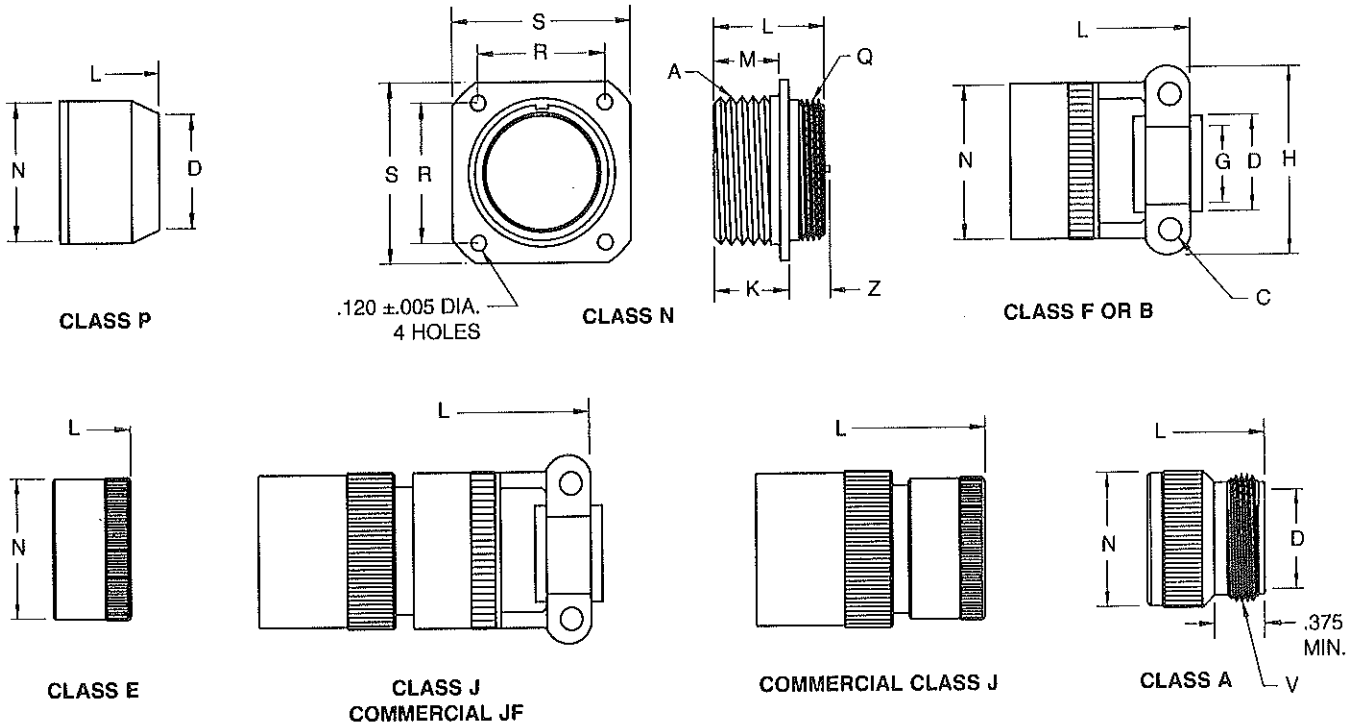
If you require special plating (other than cadmium) or other modifications (i.e., clinch nuts), please advise requirements.

Array can also supply these connectors with custom flex circuitry attached. Please discuss your requirements with your local sales representative.



Combinations of different PC tail lengths can be provided.

Series PWC00 Wall Mount Receptacle



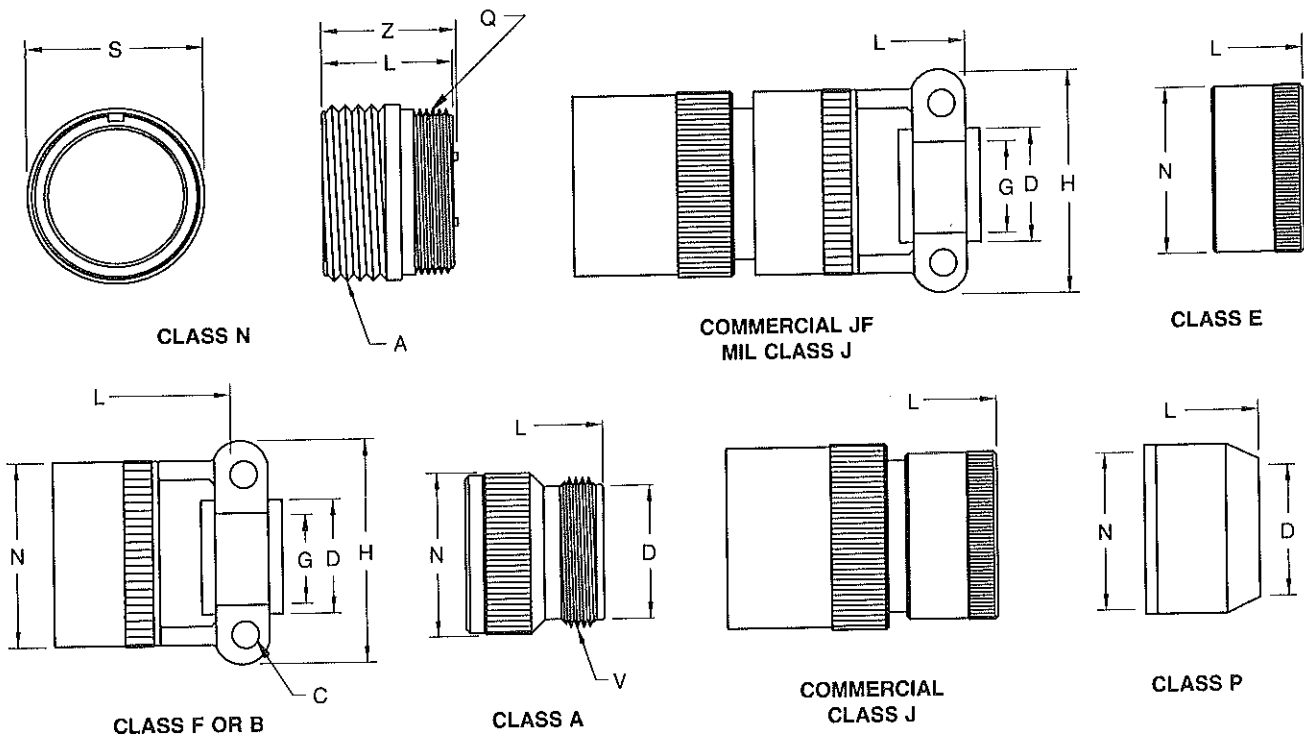
Note: L = Total connector length including cable accessory.

SHELL SIZE	RECEPTACLE FRONT VIEW		RECEPTACLE SIDE VIEW						CLASS A			
	R $\pm .005$	S	A THREAD CLASS 2A	K MAX.	L MAX.	M +.000 -.010	Q THREAD CLASS 2A	Z MAX.	D MIN.	N MIN.	L MAX.	V THREAD CLASS 2A
8	.594	.812	.5000 DS	.490	.875	.416	.4375-28 UNEF	.466	.297	.590	1.528	.5000-28 UNEF
10	.719	.938	.6250 DS	.490	.875	.416	.5625-24 UNEF	.466	.421	.717	1.528	.6250-24 UNEF
12	.812	1.031	.7500 DS	.490	.875	.416	.6875-24 UNEF	.466	.546	.834	1.528	.7500-20 UNEF
14	.906	1.125	.8750 DS	.490	.875	.416	.8125-20 UNEF	.466	.663	.970	1.528	.8750-20 UNEF
16	.969	1.219	1.0000 DS	.490	.875	.416	.9375-20 UNEF	.466	.787	1.088	1.528	1.0000-20 UNEF
18	1.062	1.312	1.1250 DS	.490	.875	.416	1.0625-18 UNEF	.466	.879	1.216	1.528	1.1875-18 UNEF
20	1.156	1.438	1.2500 DS	.584	1.031	.479	1.1875-18 UNEF	.527	1.014	1.332	1.588	1.1875-18 UNEF
22	1.250	1.562	1.3750 DS	.584	1.031	.479	1.3125-18 UNEF	.527	1.135	1.460	1.588	1.4375-18 UNEF

SHELL SIZE	CLASS F OR B						CLASS E		CLASS P			CLASS JF	CLASS J
	C THREAD	D MIN.	G DIA.	H MAX.	L MAX.	N MAX.	L MAX.	N MAX.	D MIN.	L MAX.	N MAX.	L MAX.	L MAX.
8	6-32	.240	.125	.812	1.750	.550	1.250	.560	.317	1.406	.608	2.271	1.781
10	6-32	.302	.188	.875	1.750	.675	1.250	.685	.434	1.406	.734	2.271	1.781
12	6-32	.428	.312	1.000	1.750	.803	1.250	.813	.548	1.406	.858	2.411	1.921
14	6-32	.552	.375	1.125	1.750	.920	1.250	.930	.673	1.406	.984	2.599	2.109
16	6-32	.615	.500	1.188	1.882	1.047	1.250	1.057	.798	1.406	1.110	2.943	2.328
18	8-32	.740	.625	1.438	1.882	1.165	1.250	1.175	.899	1.406	1.234	3.172	2.562
20	8-32	.740	.625	1.438	2.071	1.290	1.434	1.301	1.024	1.562	1.360	3.610	3.000
22	8-32	.928	.750	1.719	2.071	1.418	1.434	1.430	1.149	1.562	1.484	3.766	3.156



Series PWC01 Cable-to-Cable Receptacle

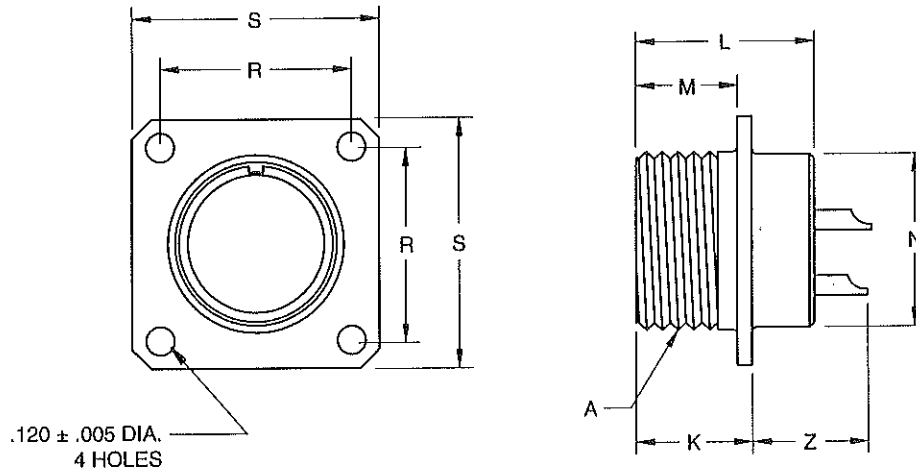


Note: L = Total connector length including cable accessory.

SHELL SIZE	PLUG FRONT VIEW	CLASS N				CLASS A			
	S MAX.	A THREAD CLASS 2A	L MAX.	Z MAX.	Q THREAD CLASS 2A	D MIN.	L MAX.	N MAX.	V THREAD CLASS 2A
8	.570	.5000 DS	.875	.924	.4375-28 UNEF	.297	1.518	.590	.5000-28 UNEF
10	.697	.6250 DS	.875	.924	.5625-24 UNEF	.421	1.518	.717	.6250-24 UNEF
12	.814	.7500 DS	.875	.924	.6875-24 UNEF	.546	1.518	.834	.7500-20 UNEF
14	.950	.8750 DS	.875	.924	.8125-20 UNEF	.663	1.518	.970	.8750-20 UNEF
16	1.068	1.0000 DS	.875	.924	.9375-20 UNEF	.787	1.518	1.088	1.0000-20 UNEF
18	1.196	1.1250 DS	.875	.924	1.0625-18 UNEF	.879	1.518	1.216	1.1875-18 UNEF
20	1.312	1.2500 DS	1.031	1.081	1.1875-18 UNEF	1.014	1.578	1.332	1.1875-18 UNEF
22	1.440	1.3750 DS	1.031	1.081	1.3125-18 UNEF	1.135	1.578	1.460	1.4375-18 UNEF

SHELL SIZE	CLASS F OR B						CLASS E		CLASS P			CLASS JF	CLASS J
	C THREAD	D MIN.	G DIA.	H MAX.	L MAX.	N MAX.	L MAX.	N MAX.	D MIN.	L MAX.	N MAX.	L MAX.	L MAX.
8	6-32	.240	.125	.812	1.740	.550	1.250	.560	.317	1.406	.608	2.271	1.781
10	6-32	.302	.188	.875	1.740	.675	1.250	.685	.434	1.406	.734	2.271	1.781
12	6-32	.428	.312	1.000	1.740	.803	1.250	.813	.548	1.406	.858	2.411	1.921
14	6-32	.552	.375	1.125	1.740	.920	1.250	.930	.673	1.406	.984	2.599	2.109
16	6-32	.615	.500	1.188	1.872	1.047	1.250	1.057	.798	1.406	1.110	2.943	2.328
18	8-32	.740	.625	1.438	1.872	1.165	1.250	1.175	.899	1.406	1.234	3.172	2.562
20	8-32	.740	.625	1.438	2.061	1.290	1.434	1.301	1.024	1.562	1.360	3.610	3.000
22	8-32	.928	.750	1.719	2.061	1.418	1.434	1.430	1.149	1.562	1.484	3.766	3.156

Series PWC02 Box Mount Receptacle

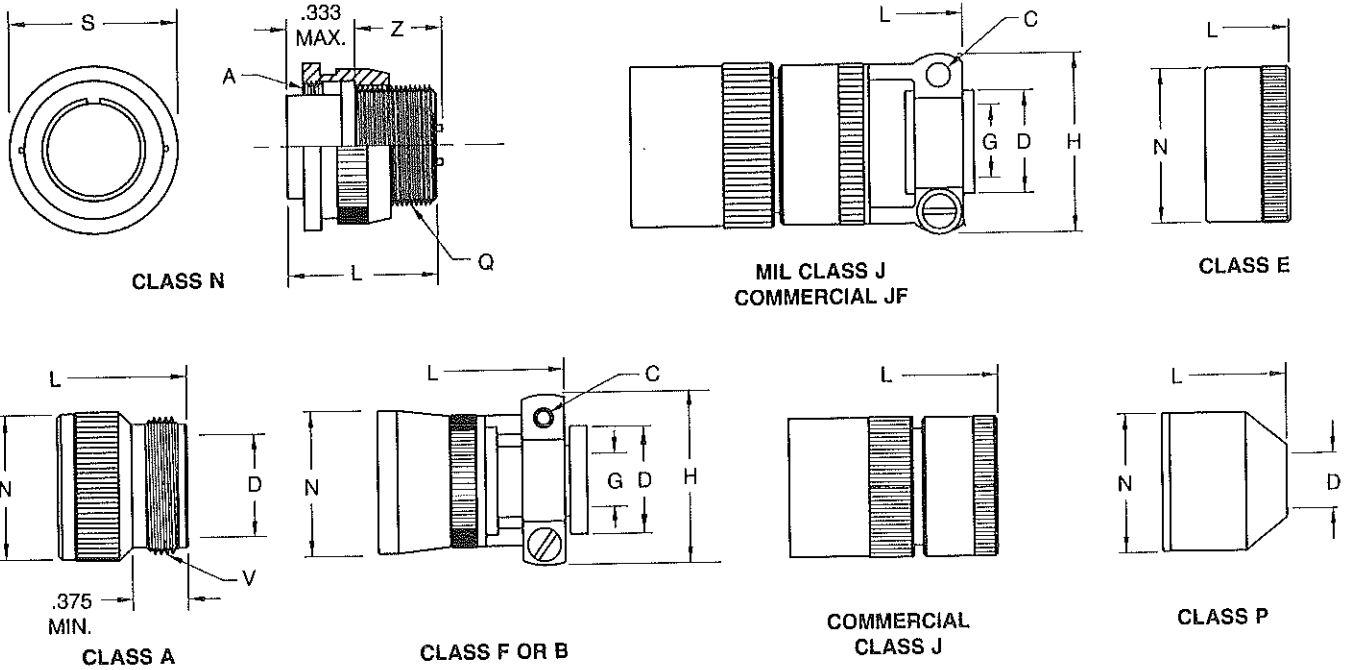


For PC tail configurations, see page 15.

DIMENSIONS IN INCHES								
SHELL SIZE	R ±.005	S	A THREAD CLASS 2A	K +.020 -.010	L MAX.	M +.010 -.000	N MAX.	Z MAX.
8	.594	.812	.5000 DS	.469	.801	.406	.449	.466
10	.719	.938	.6250 DS	.469	.801	.406	.573	.466
12	.812	1.031	.7500 DS	.469	.801	.406	.699	.466
14	.906	1.125	.8750 DS	.469	.801	.406	.823	.466
16	.969	1.219	1.0000 DS	.469	.801	.406	.949	.466
18	1.062	1.312	1.1250 DS	.469	.801	.406	1.073	.466
20	1.156	1.438	1.2500 DS	.562	.988	.469	1.199	.527
22	1.250	1.562	1.3750 DS	.562	.988	.469	1.323	.527



Series PWC06 Straight Plug



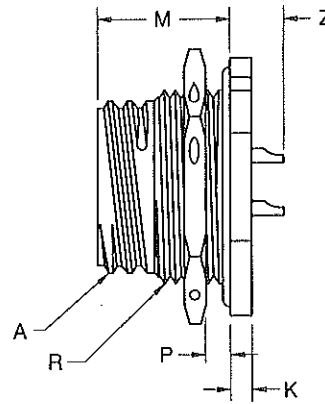
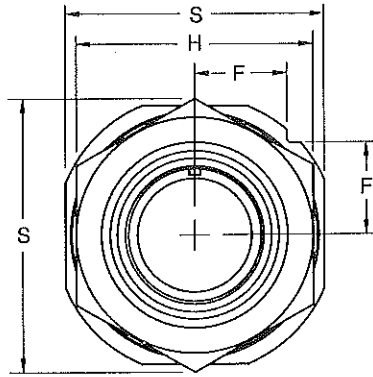
Note: L = Total connector length including cable accessory.

SHELL SIZE	PLUG FRONT VIEW	CLASS N				CLASS A			
	S MAX.	L MAX.	Q THREAD CLASS 2A	Z MAX.	A THREAD CLASS 2B	D MIN.	L MAX.	N MAX.	V THREAD CLASS 2A
8	.729	.875	.4375-28 UNEF	.627	.5000 DS	.297	1.534	.590	.5000-28 UNEF
10	.854	.875	.5625-24 UNEF	.627	.6250 DS	.421	1.534	.717	.6250-24 UNEF
12	.979	.875	.6875-24 UNEF	.627	.7500 DS	.546	1.534	.834	.7500-20 UNEF
14	1.104	.875	.8125-20 UNEF	.627	.8750 DS	.663	1.534	.972	.8750-20 UNEF
16	1.229	.875	.9375-20 UNEF	.627	1.0000 DS	.787	1.534	1.088	1.0000-20 UNEF
18	1.354	.875	1.0625-18 UNEF	.627	1.1250 DS	.879	1.534	1.216	1.1875-18 UNEF
20	1.478	1.031	1.1875-18 UNEF	.783	1.2500 DS	1.014	1.613	1.332	1.1875-18 UNEF
22	1.604	1.031	1.3125-18 UNEF	.783	1.3750 DS	1.135	1.613	1.460	1.4375-18 UNEF

SHELL SIZE	CLASS F OR B (SR)						CLASS E		CLASS P			CLASS JF	CLASS J
	C THREAD	D MIN.	G DIA.	H MAX.	L MAX.	N MAX.	L MAX.	N MAX.	D MIN.	L MAX.	N MAX.	L MAX.	L MAX.
8	6-32	.240	.125	.812	1.740	.550	1.250	.560	.317	1.406	.608	2.271	1.781
10	6-32	.302	.188	.875	1.740	.675	1.250	.685	.434	1.406	.734	2.271	1.781
12	6-32	.428	.312	1.000	1.740	.803	1.250	.813	.548	1.406	.858	2.411	1.921
14	6-32	.552	.375	1.125	1.740	.920	1.250	.930	.673	1.406	.984	2.599	2.109
16	6-32	.615	.500	1.188	1.882	1.047	1.250	1.057	.978	1.406	1.110	2.943	2.328
18	8-32	.740	.625	1.438	1.872	1.165	1.250	1.175	.899	1.406	1.234	3.172	2.562
20	8-32	.740	.625	1.438	2.061	1.290	1.434	1.301	1.024	1.562	1.360	3.610	3.000
22	8-32	.928	.750	1.719	2.061	1.418	1.434	1.430	1.149	1.562	1.484	3.766	3.156



Series PWC07A/C Jam Nut Receptacle



CLASS A
CLASS C

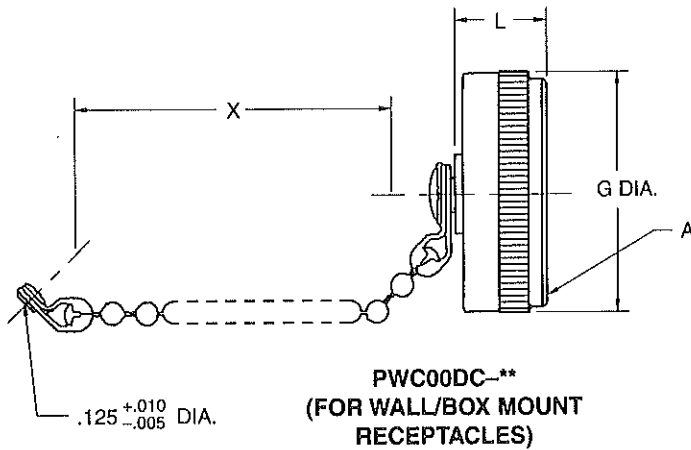
For PC tail configurations, see page 15.

SHELL SIZE	RECEPTACLE FRONT VIEW			RECEPTACLE SIDE VIEW						
	F	H HEX. $\pm .016$	S	A THREAD CLASS 2A	K $+ .016$ $- .010$	M $- .010$	P PANEL THICKNESS		Z MAX.	R THREAD CLASS 2A
							MIN.	MAX.		
8	.331	.750	.938	.5000 DS	.125	.671	.062	.125	.232	.5625-24 UNEF
10	.375	.875	1.062	.6250 DS	.125	.671	.062	.125	.232	.6875-24 UNEF
12	.442	1.062	1.250	.7500 DS	.125	.671	.062	.125	.232	.8750-20 UNEF
14	.486	1.188	1.375	.8750 DS	.125	.671	.062	.125	.232	1.0000-20 UNEF
16	.530	1.312	1.500	1.0000 DS	.125	.671	.062	.125	.232	1.1250-18 UNEF
18	.537	1.438	1.625	1.1200 DS	.125	.671	.062	.125	.232	1.2500-18 UNEF
20	.641	1.562	1.812	1.2500 DS	.156	.797	.062	.250	.262	1.3750-18 UNEF
22	.685	1.688	1.938	1.3750 DS	.156	.797	.062	.250	.262	1.5000-18 UNEF



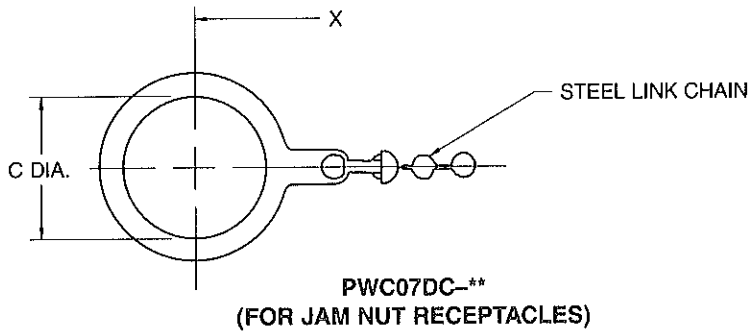
Dust Cap

Receptacle Protection Cap PWC00DC

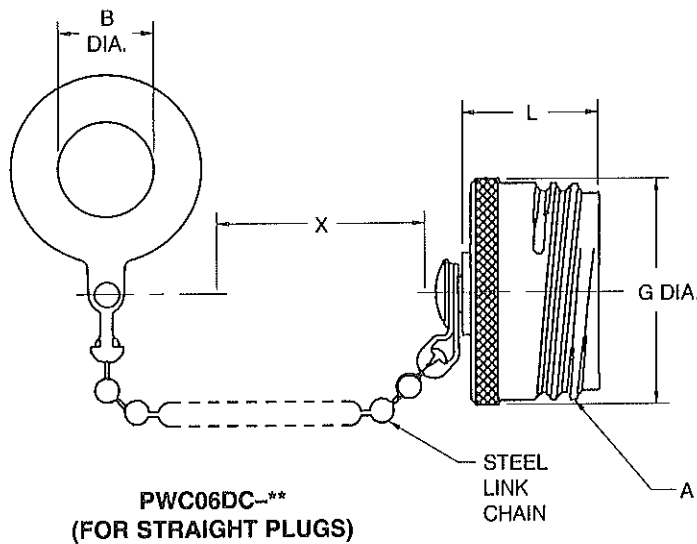


SHELL SIZE	A THREAD CLASS 2B	C ^{+0.010} / _{-.000}	G MAX.	L MIN.	X $\pm .250$
8	.5000 DS	.578	.648	.448	3.000
10	.6250 DS	.703	.776	.448	3.000
12	.7500 DS	.891	.902	.448	3.500
14	.8750 DS	1.016	1.030	.448	3.500
16	1.0000 DS	1.141	1.157	.448	3.500
18	1.1250 DS	1.266	1.284	.448	3.500
20	1.2500 DS	1.391	1.412	.448	4.000
22	1.3750 DS	1.516	1.507	.448	4.000

**Add shell size to complete order number.



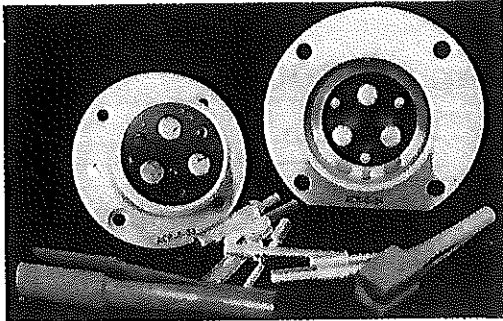
Plug Protection Cap PWC06DC



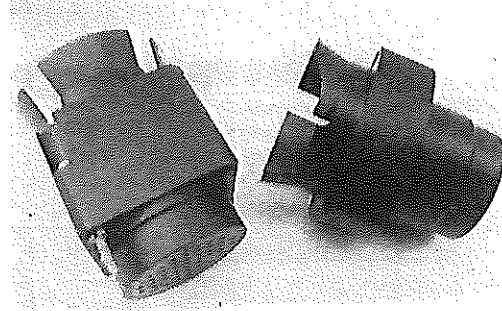
SHELL SIZE	A THREAD CLASS 2A	B ^{+0.010} / _{-.000}	G MAX.	L MIN.	X $\pm .250$
8	.5000 DS	.454	.526	.557	3.000
10	.6250 DS	.578	.643	.557	3.000
12	.7500 DS	.703	.770	.557	3.500
14	.8750 DS	.844	.897	.557	3.500
16	1.0000 DS	.969	1.025	.557	3.500
18	1.1250 DS	1.094	1.152	.557	3.500
20	1.2500 DS	1.219	1.279	.557	4.000
22	1.3750 DS	1.343	1.416	.557	4.000

**Add shell size to complete order number.

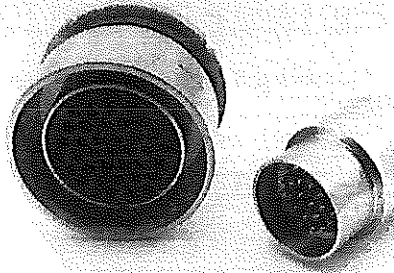
Other Quality Connectors



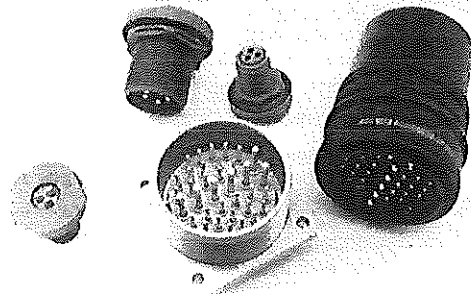
Buffet/Galley Connectors
Connectors, Receptacles and Plugs



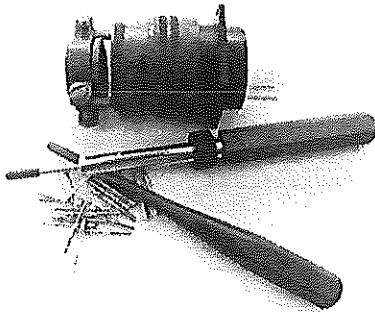
Special Cryogenic Connectors



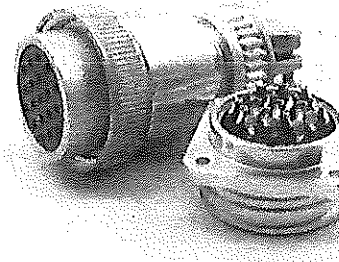
Stainless Steel Connectors
for Extreme Environmental Conditions



Special and Standard MIL-C-5015 Connectors
for Commercial Applications



"PWF" Crimp MIL-C-26482 QPL'd Plug
with Commercial "PW" Receptacle with PC Termination



Rugged Acme Thread Connectors
for Industrial Electrical Equipment

Distributed by:

Sales Representative: